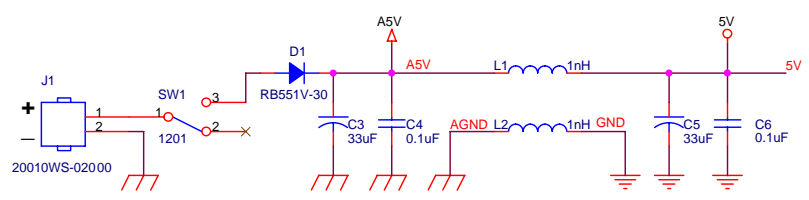
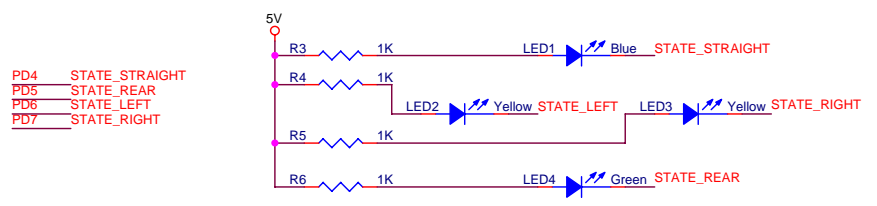


Firmtech [FB80xED_motor]V1.2

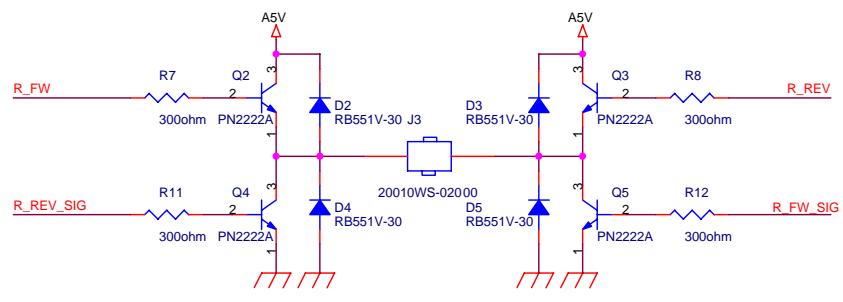


Power Input & Isolation Part



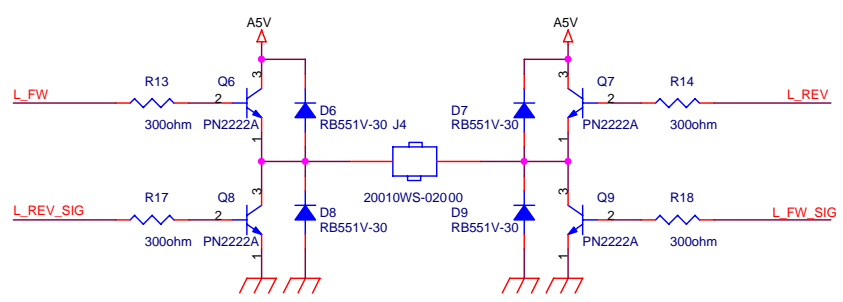
STATUS LED Indicator Part

Q2 - Q5 : Forward
Q3 - Q4 : Reverse

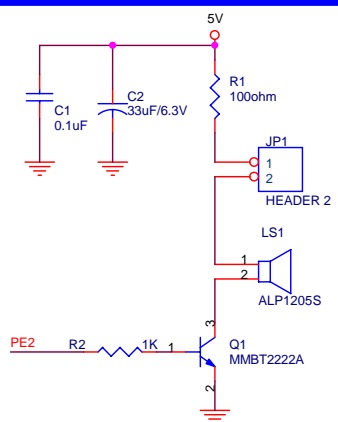


Motor part (RIGHT)

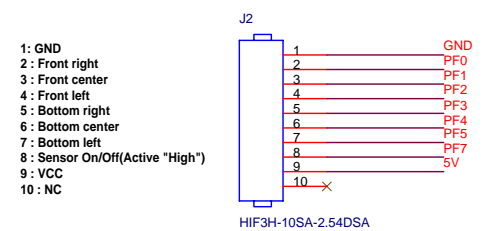
Q6 - Q9 : Forward
Q7 - Q8 : Reverse



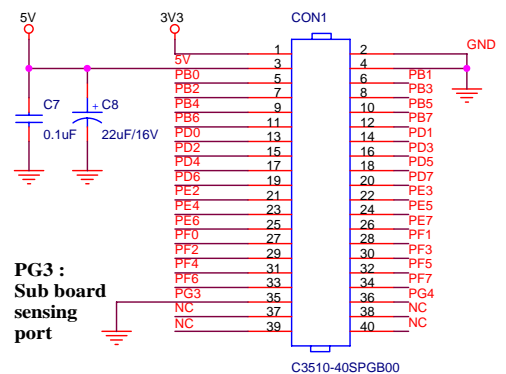
Motor part (LEFT)



Buzzer Part

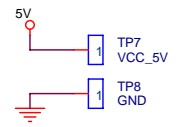


Sensor part



FB800_FB801ED Interface Connector

PG3 : Sub board sensing port



Firmtech co., Ltd		
Title: FB80xEV Motor Sub Board		
Size: Custom	Document Number: FB80xEV_motor V1.0	Rev: 1.0
Date: Friday, August 14, 2009	Sheet: 1	of 1