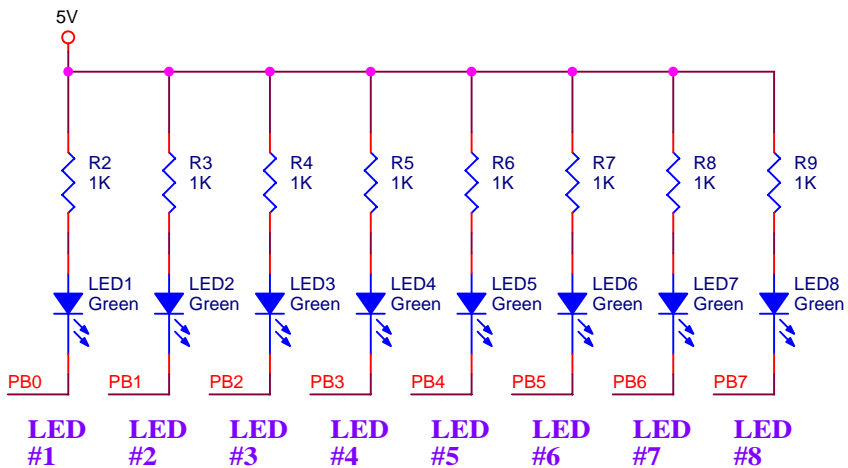
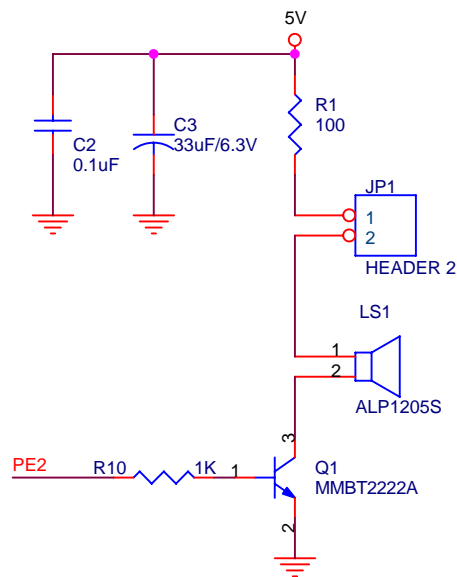


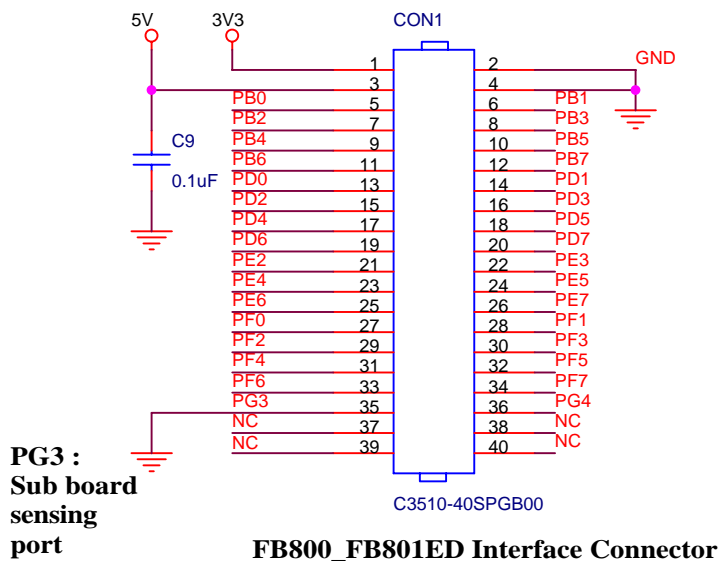
Firmtech [FB80xED_switch]V1.2



LAMP Indicator Part

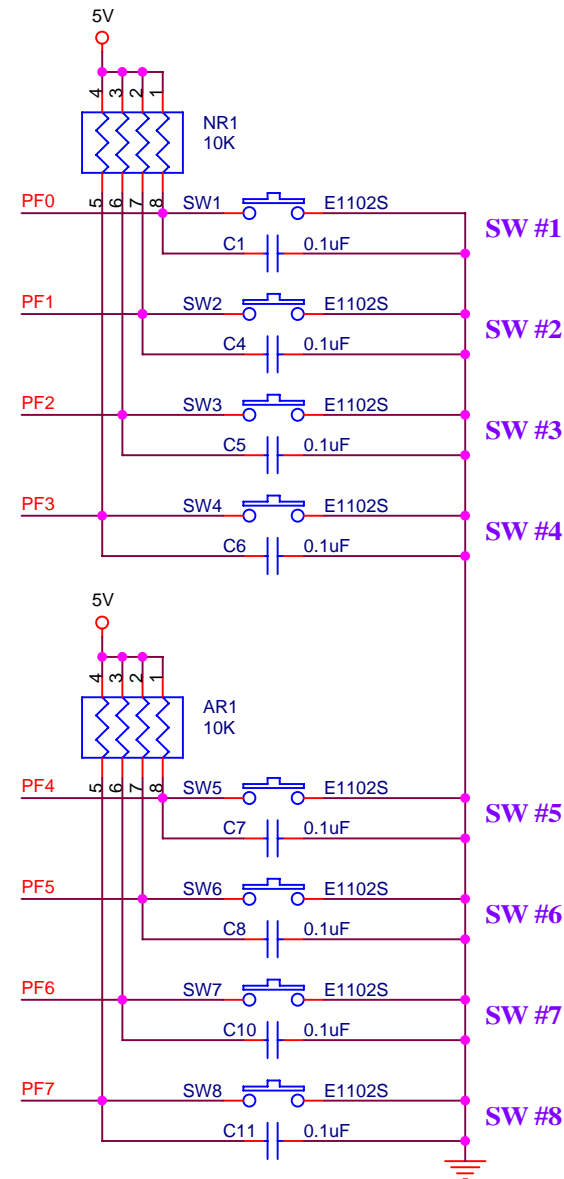
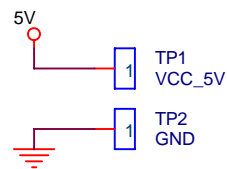


Buzzer Part



**PG3 :
Sub board
sensing
port**

FB800_FB801ED Interface Connector



Switch Part

Firmtech co., Ltd

Title FB80xED 스위치/램프 데모보드		
Size	Document Number CustomFB80xED_switch V1.0	Rev 1.0
Date:	Friday, August 14, 2009	Sheet 1 of 1