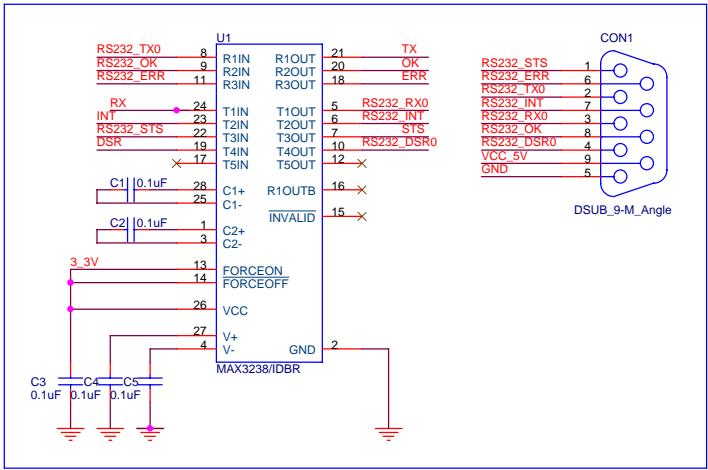
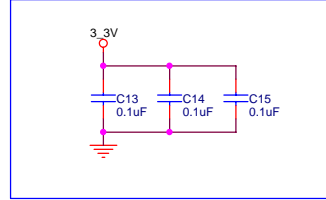


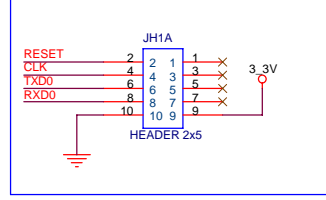
Board Part



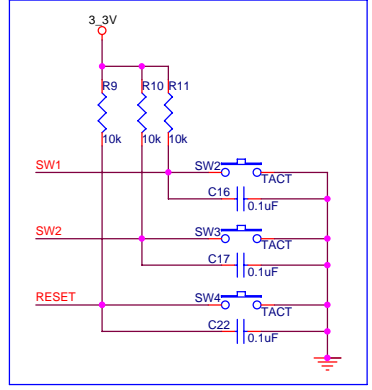
Bypass Condenser



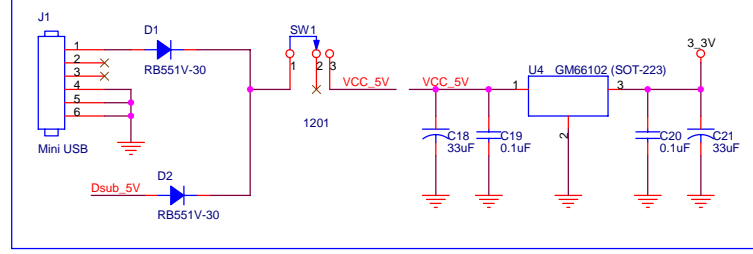
AVR Download Port



Ext Switch



Power



PC Part

