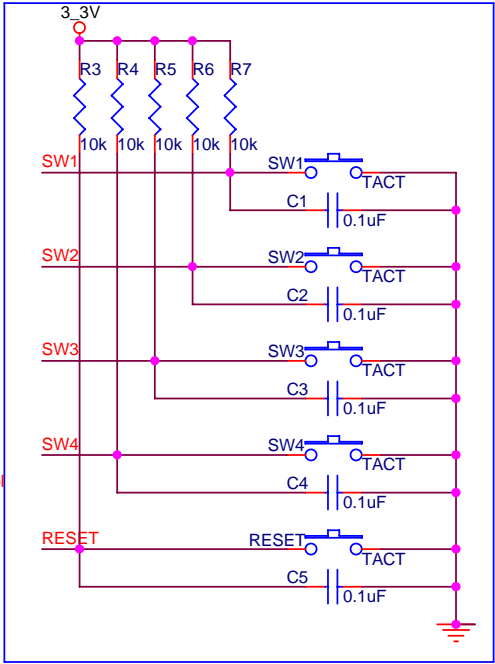
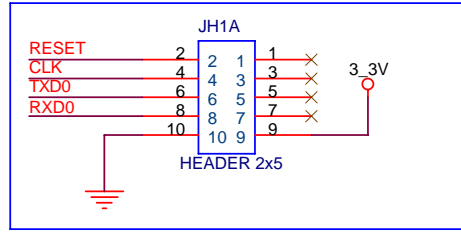


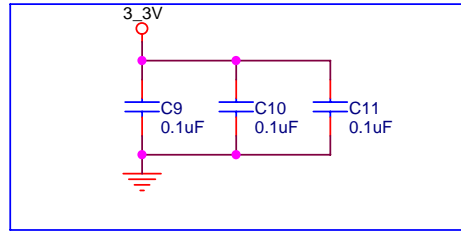
Ext Switch



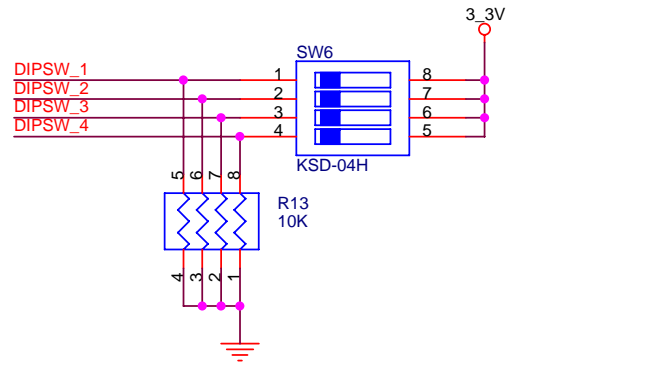
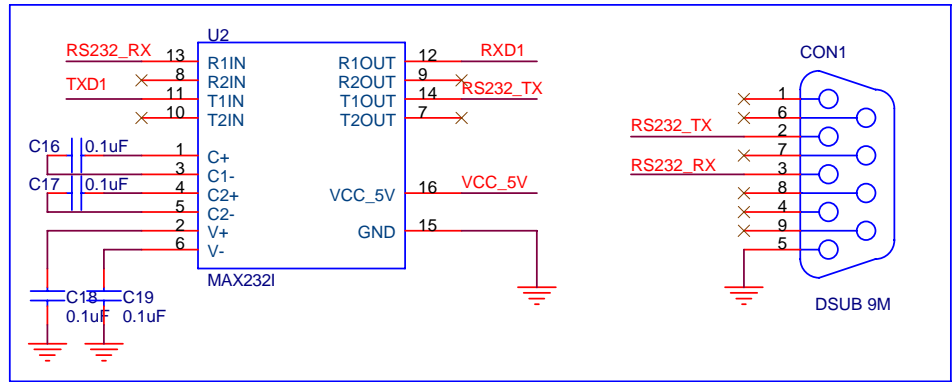
AVR Download Port



Bypass Condenser

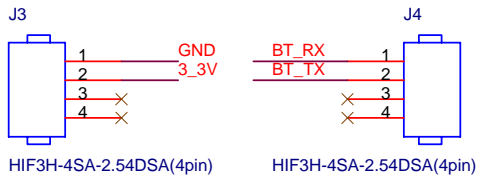


RS232 Part

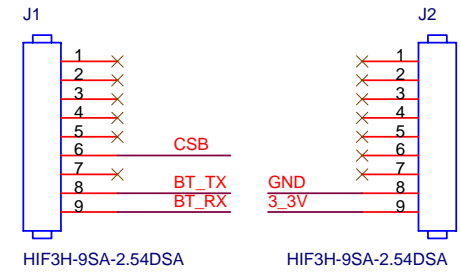


Title		
FBDx5xMC		
Size	Document Number	Rev
A4	No.1	V1.3
Date:	Thursday, December 24, 2009	Sheet 1 of 1

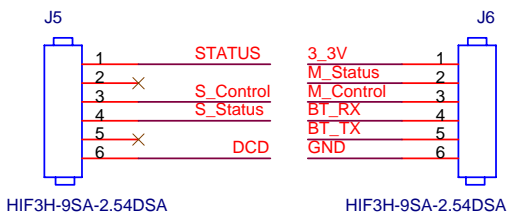
FB155BC



FB151AC, FB151AS



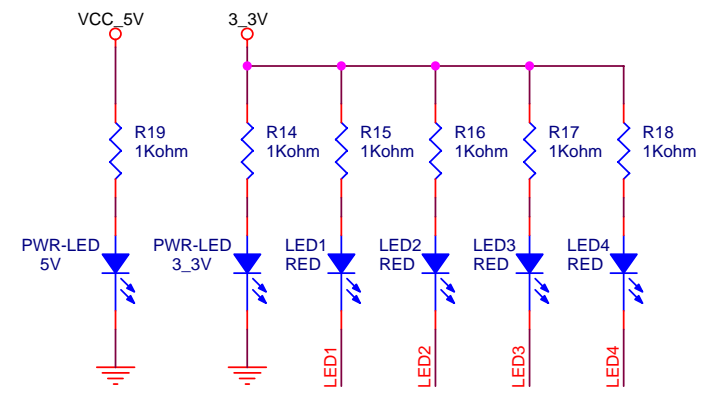
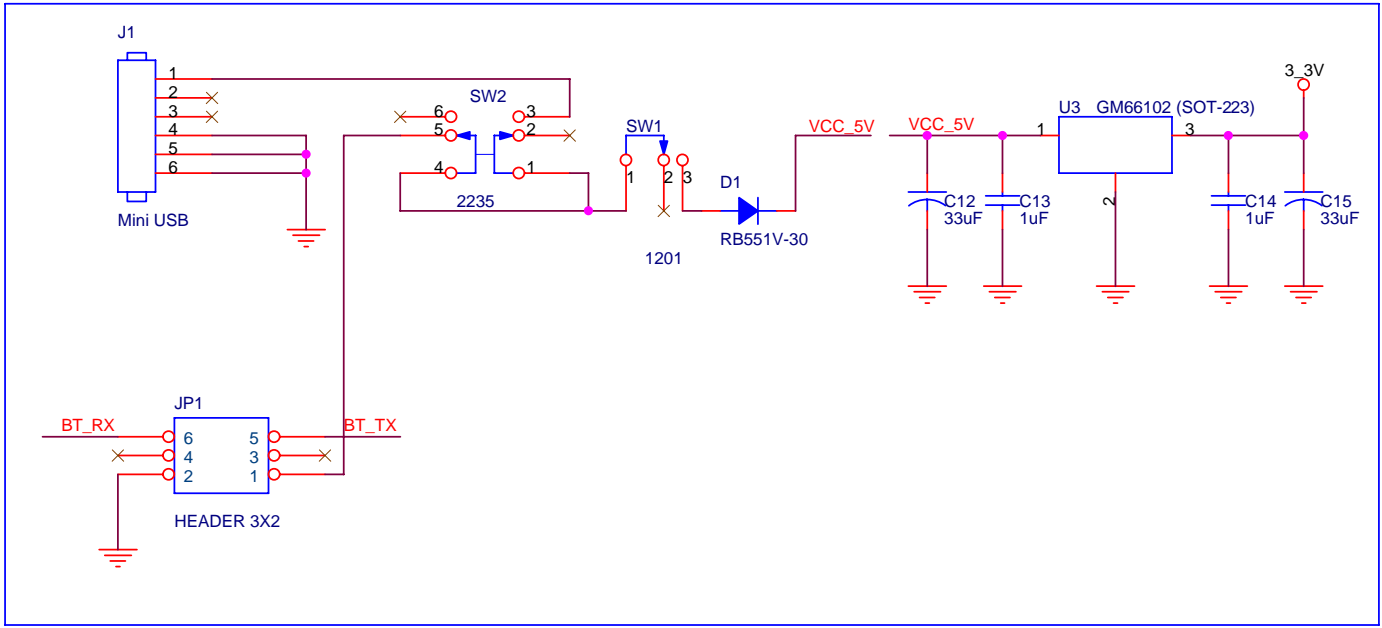
FB755AS, FB755AC



Test Point

T POINT A	1	BT_TX
T POINT A	1	BT_RX
T POINT A	1	RXD1
T POINT A	1	TXD1
T POINT A	1	LED1
T POINT A	1	LED2
T POINT A	1	LED3
T POINT A	1	LED4
T POINT A	1	SW1
T POINT A	1	SW2
T POINT A	1	SW3
T POINT A	1	SW4
T POINT A	1	DIPSW_1
T POINT A	1	DIPSW_2
T POINT A	1	DIPSW_3
T POINT A	1	DIPSW_4
T POINT A	1	S_Control
T POINT A	1	S_Status
T POINT A	1	STATUS
T POINT A	1	RXD0
T POINT A	1	TXD0
T POINT A	1	VCC_5V
T POINT A	1	RESET
T POINT A	1	3_3V
T POINT A	1	M_Status
T POINT A	1	M_Control
T POINT A	1	DCD

Power



Title		
FBDx5xMC		
Size	Document Number	Rev
A4	No.2	V1.3
Date:	Tuesday, October 21, 2014	Sheet 1 of 1